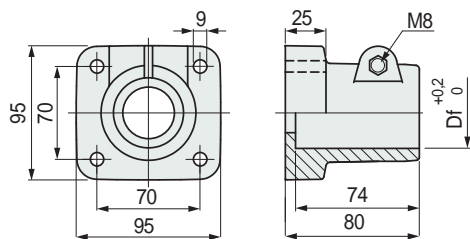


Part. S0198



■ Bearing head

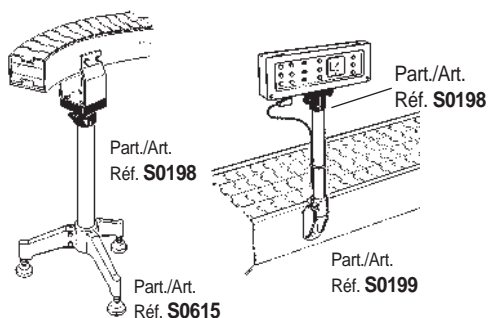


For round and square tubes

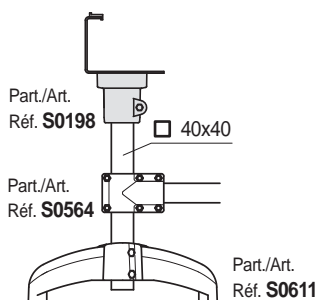
| Tube dimensions mm | Bore Df mm | Bolts material | Code |
|-----------------------|---------------|----------------------------|---------------|
| Ø 48,3 (1 1/2) | Ø 48,3 | Austenitic stainless steel | 59161 |
| Ø 50,8 | Ø 50,8 | Austenitic stainless steel | 664761 |
| ∅ 38x38 | ∅ 38 | Austenitic stainless steel | 611602 |
| | | Zinc plated steel | 611682 |
| ∅ 40x40 | ∅ 40 | Austenitic stainless steel | 611612 |
| | | Zinc plated steel | 611692 |

- Material: reinforced polyamide PA FV (black).
- Weight: 0,30 Kg.
- Max recommended tightening torque: 2 Kgm.
- Packaging: 24 pieces.

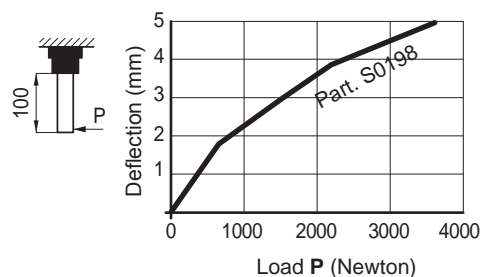
• Assembly of Part. S0198 (with round tubes)



• Assembly of Part. S0198 (with square tubes)



• Deflection of Part. S0198



• Sliding load



- Part. S0198- Ø48,3 (P = 1900 N)
- Part. S0198- ∅ 38 (P = 4400 N)
- Part. S0198- ∅ 40 (P = 2300 N)

Tests performed at tightening torque: 2 Kgm

● Best Seller

● Standard

● On request: minimum quantity may apply. Consult our Customer Service for availability.

Item code for order = Part. + Code